

## Specification

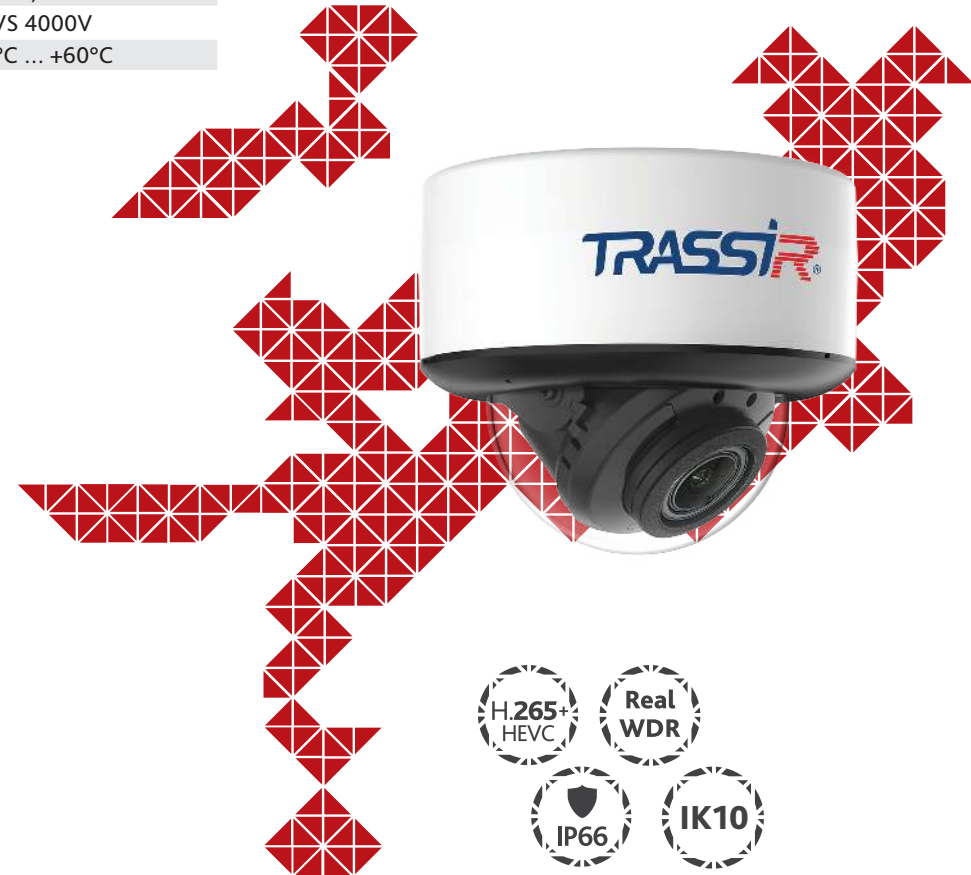
Model	TR-D3123ZIR3v7
Image sensor	1/2.8" CMOS 2MP
Max resolution	2MP(1920x1080)
Main stream	50Hz: 2MP/960P/720P@25fps 60Hz: 2MP/960P/720P@30fps
Substream	50Hz: D1/VGA/HVGA@25fps 60Hz: D1/VGA/HVGA@30fps
Electronic shutter speed	1/2 ~ 1/50,000 s
Day/Night mode	Mechanical ICR
Sensitivity	0.005Lux (F1.6)
IR range	up to 30 m
Lens (mm)	2.7 - 13.5 (motorzoom)
Field of view (horiz./vert.)	102° - 34°±5° / 54° - 20°±5°
Axes setting	Pan: 0° -340° Tilt: 0° -70° Rotation: 0° -340°
WDR	Real WDR (120dB)
Digital noise reduction	3D DNR
Video compression	H.265+ / H.265 / H.264
Bitrate	up to 8Mbps
Local storage	MicroSD up to 256GB
Audio	Built-in microphone 1 in / 1 out
Corridor mode	Yes
IVS	Yes

## General

Power supply	PoE (802.3af) / 12V DC
PoE Class	3
Power consumption	DC: 6.5W PoE: 7.6W
Case material	Metal
Dimensions (mm)	Ø116.10 x 96.51
Weight Net/Gross (g)	460 / 590
Protection	IP66, IK10
Power surge suppressor	TVS 4000V
Working temperature	-40°C ... +60°C

## TR-D3123ZIR3v7

Outdoor IR Network Camera



## Technical support

[www: helpdesk.trassir.com](http://www.helpdesk.trassir.com)  
[mail: helpdesk@trassir.com](mailto:helpdesk@trassir.com)

Data \_\_\_\_\_ Stamp \_\_\_\_\_

Here is the confirmation form for warranty assurance

**Note: read user manual before using**  
**Website: [www.trassir.com](http://www.trassir.com)**  
**For any inquiry: [info@trassir.com](mailto:info@trassir.com)**

## Introduction

Congratulations on purchasing TR-D3123ZIR3v7\* IP-camera. Please read User Manual before using the camera.

\* This datasheet applies to all camera modifications of this model. The modification is indicated by a Latin letter in brackets in the camera name.

## Key features

- Supports H.265+
- Wide Dynamic Range (Real WDR 120dB)
- IR range up to 30 m
- Built-in video archive (Edge Storage) – local recording on MicroSD card\* up to 256GB with HotSwap support
- Two-way audio (1 line in / 1 line out, built-in microphone)
- TCP/IP, HTTP, FTP, DHCP, DNS, DDNS, RTP, RTSP, RTCP, PPPoE, UPnP, SMTP, NTP, Onvif protocols
- IVS: Human detection; Vehicle detection; Line crossing; Intrusion detection;
- Power supply 12V DC or PoE

\* MicroSD Card is not included into camera package

## Camera package

- |                       |       |
|-----------------------|-------|
| 1. IP camera .....    | 1 pc. |
| 2. User Manual .....  | 1 pc. |
| 3. Mounting kit ..... | 1 pc. |

### Attention!

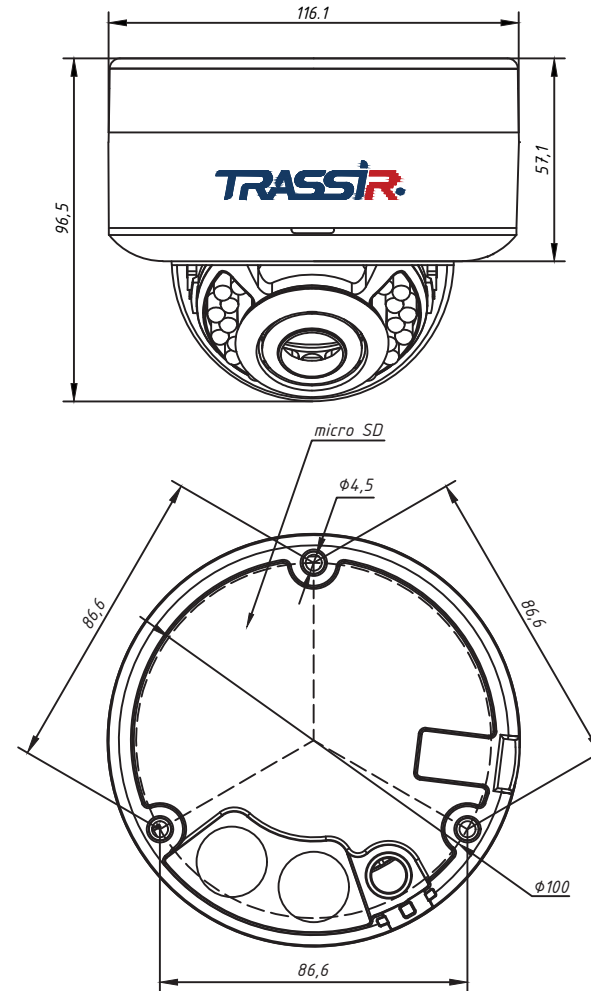
The power supply should meet the following requirements: output voltage, current, polarity, and working temperature. When using the camera in thunderstorm conditions, make sure there is a lightning rod or unplug the power connector. Pay attention to the temperature requirements for IP camera operation. Avoid using the device in excessively high or low temperatures. Do not install the camera near heaters. Do not point the camera lens at the sun or at bright objects as this can damage the image sensor.

## Connecting

To get started with IP camera you need a PC connected to the local network with Windows installed and Internet Explorer version 8 or higher.

1. Connect IP camera to the network.
2. When the camera is connected through a switch which doesn't support PoE, connect the adapter to the power jack.

## Dimensions



## Manual setting of network parameters

In order to connect to the IP camera, the PC should be in the same local network as the camera. The IP address of the camera, the PC and any other device on the network should not match.

The IP camera has the following default settings:

- IP address: 192.168.1.188
- Subnet mask: 255.255.0.0
- Gateway: 192.168.1.1
- HTTP-port: 80
- username: admin
- password: admin

PC network settings example:

- IP address: 192.168.1.10;
- Subnet mask: 255.255.0.0.

There are 3 options to set up your camera:

1. Change IP address of a camera manually. Start your browser, connect to IP camera and enter your username and password. Choose appropriate menu item and change network settings of IP camera.
2. Set up camera IP address using fast configuration utility that can be downloaded from [www.trassir.com](http://www.trassir.com).
3. Change IP camera settings using TRASSIR professional software.

You can find detailed camera settings instructions in User Manual that can be downloaded from [trassir.com](http://trassir.com).